



# NIMBO-24

## LOUDSPEAKERS

Top Performance Cabinet Loudspeaker



# USER MANUAL

PRECAUTIONS

PACKAGE CONTENTS

DESCRIPTION & FEATURES

CONNECTIONS

IMPEDANCE SELECTOR

EQ SETTINGS

RECOMMENDED AMPLIFIER

POSITIONING & INSTALLATION

TECHNICAL DATA

# TABLE OF CONTENTS

<b>1. PRECAUTIONS .....</b>	<b>3</b>
<i>1.1 Important Remark.....</i>	<i>3</i>
<i>1.2 Important Safety Instructions.....</i>	<i>4</i>
<i>1.3 Cleaning.....</i>	<i>4</i>
<b>2. PACKAGE CONTENTS.....</b>	<b>5</b>
<b>3. DESCRIPTION &amp; FEATURES .....</b>	<b>5</b>
<i>3.1 Main Features.....</i>	<i>6</i>
<b>4. CONNECTIONS.....</b>	<b>6</b>
<i>4.1 Connections Diagram .....</i>	<i>7</i>
<b>5. IMPEDANCE SELECTOR .....</b>	<b>8</b>
<b>6. EQ SETTINGS.....</b>	<b>8</b>
<b>7. RECOMMENDED AMPLIFIER.....</b>	<b>8</b>
<b>8. POSITIONING &amp; INSTALLATION.....</b>	<b>9</b>
<i>8.1 Positioning.....</i>	<i>9</i>
<i>8.2 Installation.....</i>	<i>9</i>
<i>8.3 Installation Diagram.....</i>	<i>10</i>
<b>9. TECHNICAL DATA.....</b>	<b>12</b>
<i>9.1 Technical Specifications.....</i>	<i>12</i>
<i>9.2 Mechanical Diagram.....</i>	<i>13</i>



PRECAUTIONS

PACKAGE CONTENTS

DESCRIPTION & FEATURES

CONNECTIONS

IMPEDANCE SELECTOR

EQ SETTINGS

RECOMMENDED AMPLIFIER

POSITIONING & INSTALLATION

TECHNICAL DATA

# 1. PRECAUTIONS

## 1.1 Important Remark



**WARNING: SHOCK HAZARD - DO NOT OPEN**

**AVIS: RISQUE DE CHOC ÉLECTRIQUE - NE PAS OUVRIR**



The lightning flash with arrowhead symbol, within an equilateral triangle, is intended to alert the user to the presence of uninsulated “dangerous voltage” within the product’s enclosure that may be of sufficient magnitude to constitute a risk of electric shock to persons.



The exclamation point within an equilateral triangle is intended to alert the user to the presence of important operating and maintenance (servicing) instructions in the literature accompanying the appliance.

**WARNING (If applicable):** The terminals marked with symbol of “⚡” may be of sufficient magnitude to constitute a risk of electric shock. The external wiring connected to the terminals requires installation by an instructed person or the use of ready-made leads or cords.

**WARNING:** To prevent fire or shock hazard, do not expose this equipment to rain or moisture.

**WARNING:** A device with Class I construction shall be connected to a mains socket-outlet with a protective earthing connection.



**WARNING:** This product must not be discarded, under any circumstance, as unsorted urban waste. Take to the nearest electrical and electronic waste treatment centre.



PRECAUTIONS

PACKAGE CONTENTS

DESCRIPTION & FEATURES

CONNECTIONS

IMPEDANCE SELECTOR

EQ SETTINGS

RECOMMENDED AMPLIFIER

POSITIONING & INSTALLATION

TECHNICAL DATA

## 1.2 Important Safety Instructions

1. Read these instructions.
2. Keep these instructions.
3. Heed all warnings.
4. Follow all instructions.
5. Do not use this device near water.
6. Clean only with dry cloth.
7. Do not block any ventilation openings. Install in accordance with the manufacturer's instructions.
8. Do not install near any heat sources such as radiators, heat registers, stoves, or other device (including amplifiers) that produce heat.
9. Do not defeat the safety purpose of the polarized or grounding type plug. A polarized plug has two blades with one wider than the other. A grounding type plug has two blades and a third grounding prong. The wide blade or the third prong are provided for your safety. If the provided plug does not fit into your outlet, consult an electrician for replacement of the obsolete outlet.
10. Protect the power cord from being walked on or pinched particularly at the plugs, convenience receptacles, and at the point where they exit from the device.
11. Only use attachments/accessories specified by the manufacturer.
12. Unplug the device during lightning sorts or when unused for long periods of time.
13. Refer all servicing to qualified personnel. Servicing is required when the device has been damaged in any way, such as power supply cord or plug is damaged, liquid has been spilled or objects have fallen into the device, the device has been exposed to rain or moisture, does not operate normally, or has been dropped.
14. Disconnecting from mains: When switching off the POWER switch, all the functions and light indicators of the unit will be stopped, but fully disconnecting the device from mains is done by unplugging the power cable from the mains input socket. For this reason, it always shall remain easily accessible.
15. Equipment is connected to a socket-outlet with earthing connection by means of a power cord.
16. The marking information is located at the bottom of the unit.
17. The device shall not be exposed to dripping or splashing and that no objects filled with liquids, such as vases, shall be placed on device.

## 1.3 Cleaning



**Clean the unit with a soft, dry clean cloth** or slightly wet with water and neutral liquid soap only, then dry it with a clean cloth. Be careful that water never gets into the unit through any hole. Never use alcohol, benzine, solvents or abrasive substances to clean this unit.

**NEEC AUDIO BARCELONA, S.L.** accepts no liability for any damage that may be caused to people, animal, or objects due to failure to comply with the warnings above.



PRECAUTIONS

PACKAGE CONTENTS

DESCRIPTION & FEATURES

CONNECTIONS

IMPEDANCE SELECTOR

EQ SETTINGS

RECOMMENDED AMPLIFIER

POSITIONING & INSTALLATION

TECHNICAL DATA

**Thank you for choosing our device Ecler NIMBO-24!**

**We appreciate your trust.**

It is **VERY IMPORTANT** to carefully read this manual and to fully understand its contents before any connection in order to maximize your use and get the best performance from this equipment.

To ensure optimal operation of this device, we strongly recommend that its maintenance be carried out by our authorised Technical Services.

**Ecler NIMBO-24 comes with a 5-year warranty.**

## 2. PACKAGE CONTENTS

- 1 x NIMBO-24 loudspeaker.
- 1 x VEASY wall bracket with vertical and horizontal adjustment (VESA compatible).
- 2x Euroblock.
- First Steps Guide.
- Warranty card.

## 3. DESCRIPTION & FEATURES

**NIMBO-24** is a premium performance 2-way passive loudspeaker with 80W RMS power, in a compact size with extended low frequency response. Suitable for outdoor applications, with a cloud-inspired design, result of Ecler's engineering skills and the collaboration of architects and interior designers.

Including 2 x 4" woofers and a 1" silk tweeter located in the acoustic centre, acting as a single point source to disperse the sound evenly.

The nominal impedance of the speaker can be selected to 4 ohm or 16 ohm thanks to the front switch located behind the logo, which allows to modify its impedance without removing the aluminium front grille.

It includes the robust VEASY wall bracket, allowing tilt and pan adjustment using a single screw.



PRECAUTIONS

PACKAGE CONTENTS

DESCRIPTION & FEATURES

CONNECTIONS

IMPEDANCE SELECTOR

EQ SETTINGS

RECOMMENDED AMPLIFIER

POSITIONING & INSTALLATION

TECHNICAL DATA


### 3.1 Main Features

- 2-way passive loudspeaker for surface and ceiling mounting.
- 2x 4" woofers with 4-layer voice coil improves power handling and low frequency response.
- 1" silk tweeter with neodymium magnet and ferrofluid.
- Glass-fibre reinforced ABS non resonant compact enclosure.
- Wide dispersion pattern.
- VEASY bracket compatible with VESA 75 included. Quick and easy to install, including jumps and markings for repeating speaker orientation.
- Weather-protected with an IP-44 rating.
- Available in white, black and gold colour.
- RAL paint customization available.

## 4. CONNECTIONS

The connection cables which connect the amplifiers output and the speaker should be of good quality, have sufficient conductor area and be as short as possible. The latter fact is especially important when the distance is long and the load impedance low (4-16  $\Omega$ ). A cross-section of at least 2.5mm<sup>2</sup> is recommended for distances up to 10m; 4 or 6mm<sup>2</sup> for longer distances. Following formula gives the required section, assuming 4% losses:

$$\text{Cross section in mm}^2 = \frac{\text{Length in m}}{\text{Loudspeaker impedance in } \Omega}$$

 **Always respect the polarity.** The loudspeaker has an INPUT Euroblock connector, and a second STACK Euroblock connector thereby facilitating the parallel connection of speaker.



See detailed connections diagram on next page.



PRECAUTIONS

PACKAGE CONTENTS

DESCRIPTION & FEATURES

CONNECTIONS

IMPEDANCE SELECTOR

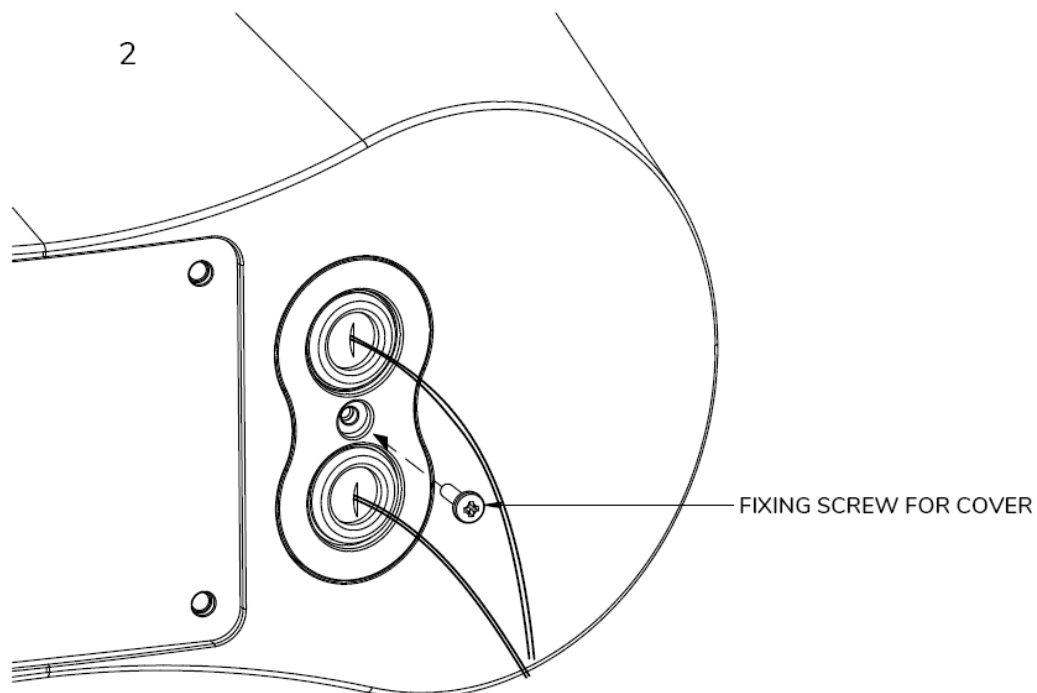
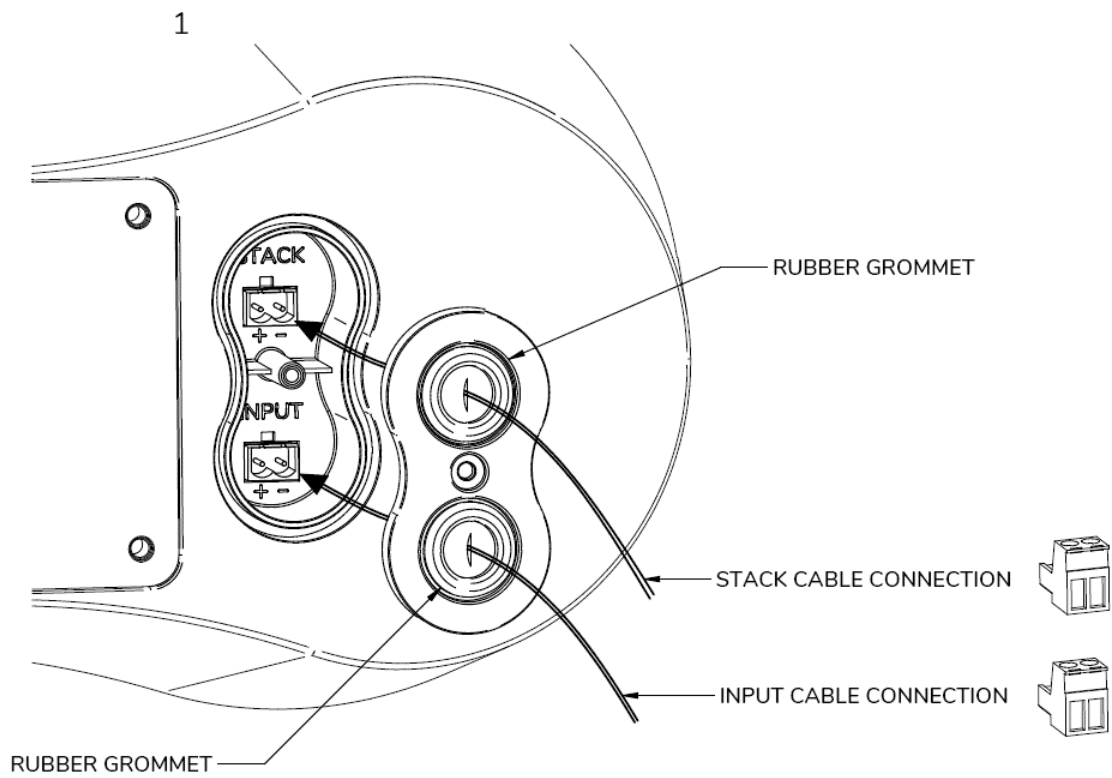
EQ SETTINGS

RECOMMENDED AMPLIFIER

POSITIONING & INSTALLATION

TECHNICAL DATA

## 4.1 Connections Diagram



PRECAUTIONS

PACKAGE CONTENTS

DESCRIPTION & FEATURES

CONNECTIONS

IMPEDANCE SELECTOR

EQ SETTINGS

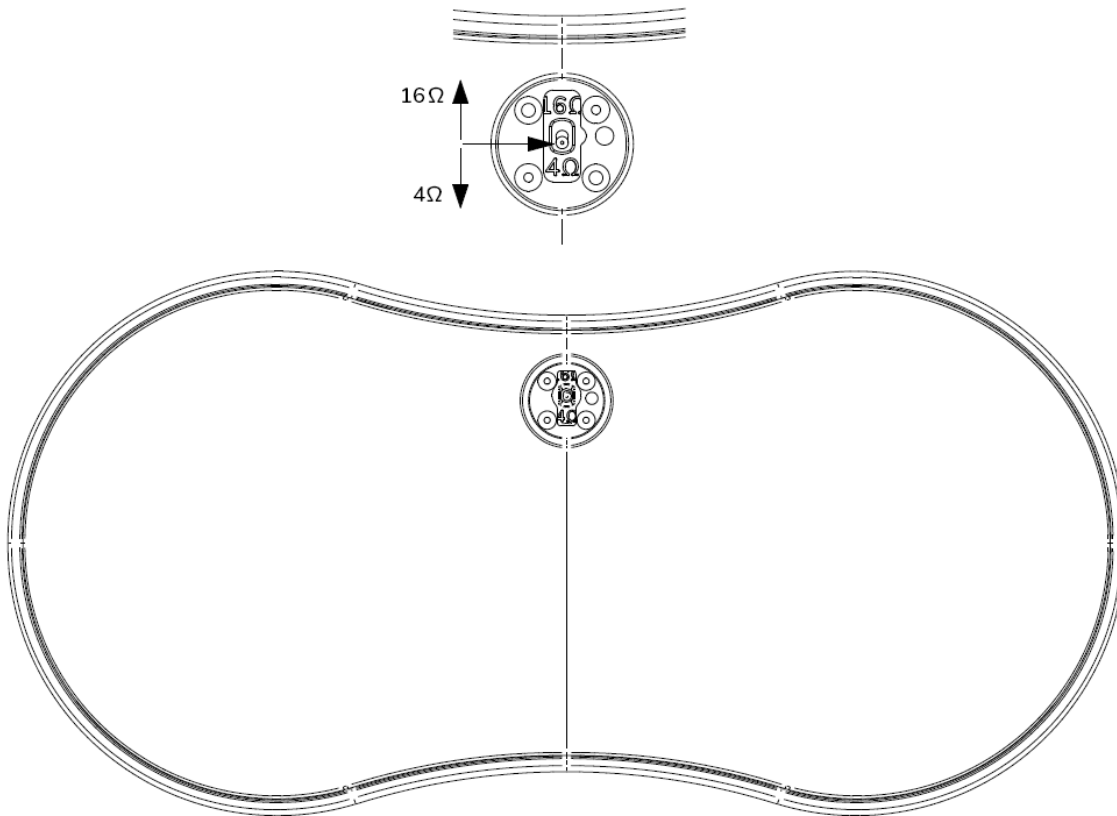
RECOMMENDED AMPLIFIER

POSITIONING & INSTALLATION

TECHNICAL DATA

## 5. IMPEDANCE SELECTOR

NIMBO-24 works in low impedance operation. In this matter, it has a 2-position switch on its front panel (behind the logo) that allows to select its working mode without removing the grill.



## 6. EQ SETTINGS

[Download the Ecler Loudspeakers EQ Settings file](#) ready to import in EclerNet Manager software.

## 7. RECOMMENDED AMPLIFIER

The output power of the **recommended amplifier** for NIMBO-24 is **150W RMS**.



PRECAUTIONS

PACKAGE CONTENTS

DESCRIPTION & FEATURES

CONNECTIONS

IMPEDANCE SELECTOR

EQ SETTINGS

RECOMMENDED AMPLIFIER

POSITIONING & INSTALLATION

TECHNICAL DATA



## 8. POSITIONING & INSTALLATION

### 8.1 Positioning

Consider following general rules.

**Place the speaker on a solid and firm surface. No obstacles should stand between the enclosures and the audience.** The high frequencies are very directive compared to the low frequencies, so that any obstacle will impair their response. In case large audiences must be addressed, a better long distance sound propagation will be achieved if the enclosures are flown high enough.



Download all EASE files by clicking on the image:



### 8.2 Installation

NIMBO loudspeaker **include the VEASY wall bracket, VESA 75 compatible and easy to install.** The robust VEASY wall bracket, allow tilt and pan adjustment using a single screw. Quick and easy to install, including jumps and markings for repeating speaker orientation.



See detailed installation diagram on next page.



PRECAUTIONS

PACKAGE CONTENTS

DESCRIPTION & FEATURES

CONNECTIONS

IMPEDANCE SELECTOR

EQ SETTINGS

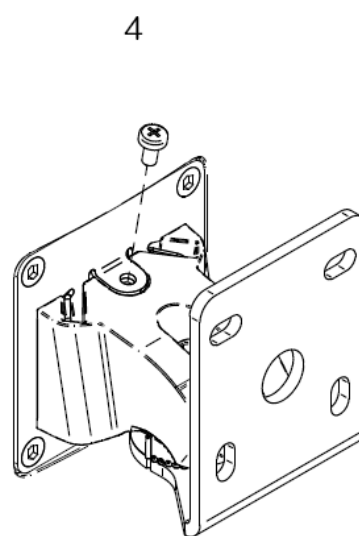
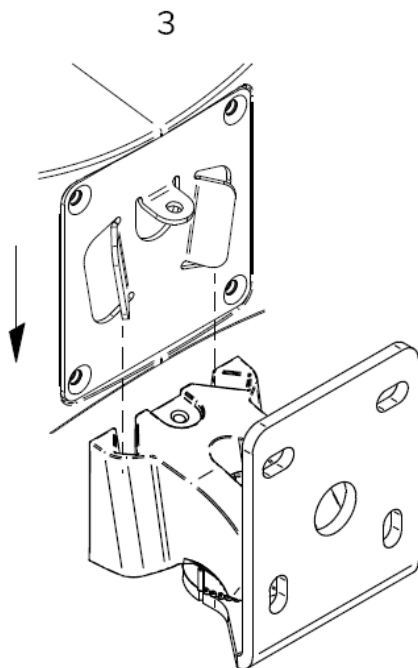
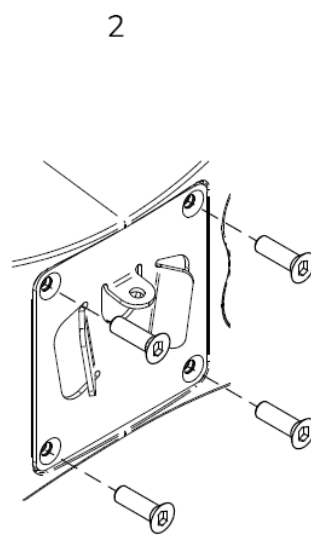
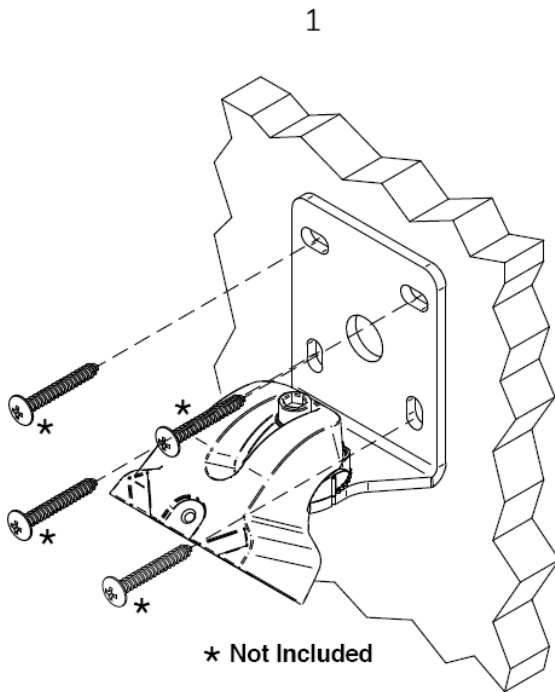
RECOMMENDED AMPLIFIER

POSITIONING & INSTALLATION

TECHNICAL DATA

### 8.3 Installation Diagram

Mounting the VEASY wall bracket.



PRECAUTIONS

PACKAGE CONTENTS

DESCRIPTION & FEATURES

CONNECTIONS

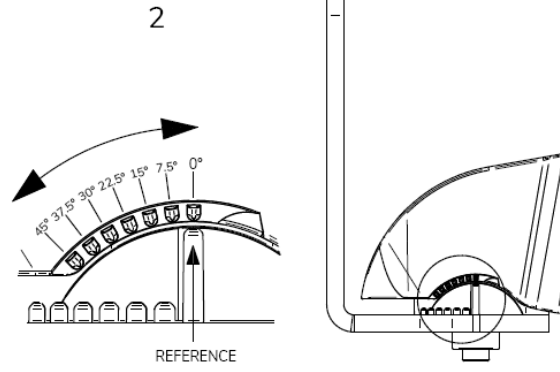
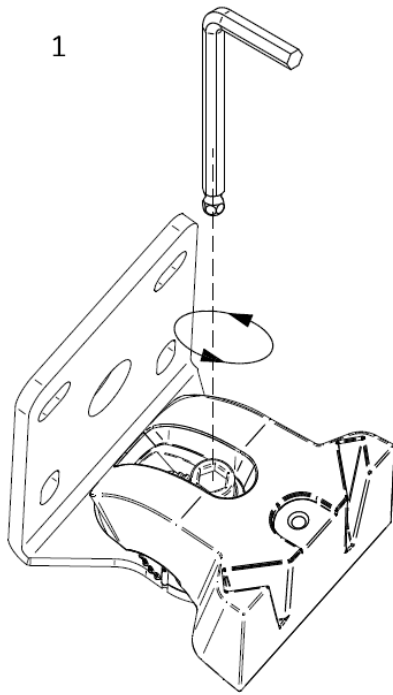
IMPEDANCE SELECTOR

EQ SETTINGS

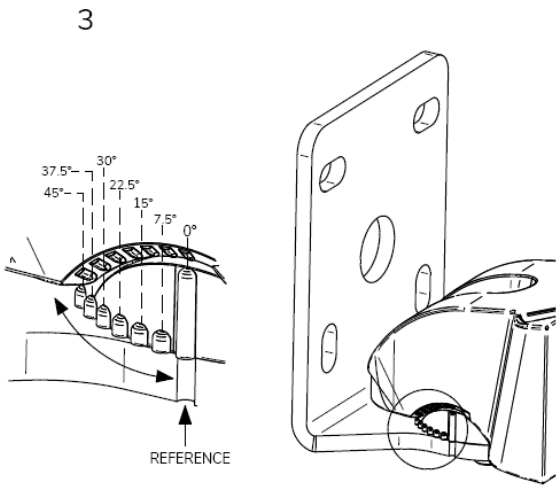
RECOMMENDED AMPLIFIER

POSITIONING & INSTALLATION

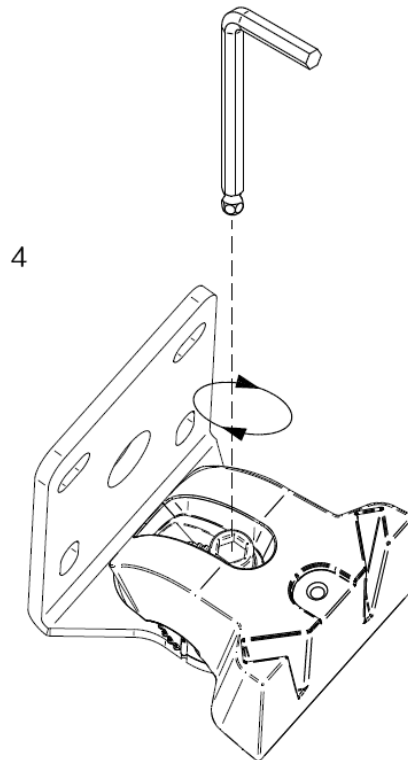
TECHNICAL DATA



TILT ORIENTATION



PAN ORIENTATION



PRECAUTIONS

PACKAGE CONTENTS

DESCRIPTION & FEATURES

CONNECTIONS

IMPEDANCE SELECTOR

EQ SETTINGS

RECOMMENDED AMPLIFIER

POSITIONING & INSTALLATION

TECHNICAL DATA

## 9. TECHNICAL DATA

### 9.1 Technical Specifications

#### NIMBO-24

SYSTEM	
Effective Freq. Range <sup>1</sup>	62Hz-20kHz (-10dB)
Coverage angle <sup>2</sup>	165°x150° (HxV)
Power handling	80 W RMS / 320 W Peak
Sensitivity <sup>3</sup>	84 dB (1W/1m)
Maximum SPL <sup>4</sup>	103 dB continuous / 109 dB peak
Recommended amplifier power	150W RMS
TRANSDUCERS	
Ways	2-ways full range
Low frequency driver	2 x 4" Woofer
High frequency driver	1" Silk Dome Tweeter
Nominal impedance	4Ω / 16Ω
FILTERS	
Crossover filter	1,65 KHz
PHYSICAL	
Connection type	Double INPUT/LINK connector, Euroblock type
Power type selector	Front selection by toggle switch
Installation options	Surface / Wall mounting
Environmental	IP44
Enclosure material	ABS reinforced with fibreglass
Grille material	Aluminium
Grille fixing system	Pressure mount system
Mounting system	Stainless Steel VEASY bracket
Operating temperature	Min: 0°C ; 32°F Max: 35°C ; 95°F
Operating humidity	<85% HR
Storage temperature	Min: -10°C ; 14°F Max: 50°C ; 122°F
Storage humidity	<90% HR
Finished colour	White (RAL9003), Black (RAL9005) or Gold (RAL1036, approx.)
Dimensions (WxHxD)	364 x 178 x 185 mm / 14.41 x 7 x 7.28 in.
Weight	3 kg / 6.61 lb
Pieces per box	1
Shipping dimensions (WxHxD)	450 x 310 x 300 mm / 17.71 x 12.20 x 11.81 in.
Shipping weight	5.7 kg / 12.57 lb

<sup>1</sup> below the sound pressure level at specified sensitivity.

<sup>2</sup> 6dB below the sound pressure level than that at the direction of maximum level, Max. angle between 1 kHz and 4 kHz.

<sup>3</sup> Measured on-axis, far field and referenced to 1 meter by inverse square law. Average from 100 Hz to 10 kHz.

<sup>4</sup> Calculated from sensitivity and power handling specifications, exclusive of power compression.



PRECAUTIONS

PACKAGE CONTENTS

DESCRIPTION & FEATURES

CONNECTIONS

IMPEDANCE SELECTOR

EQ SETTINGS

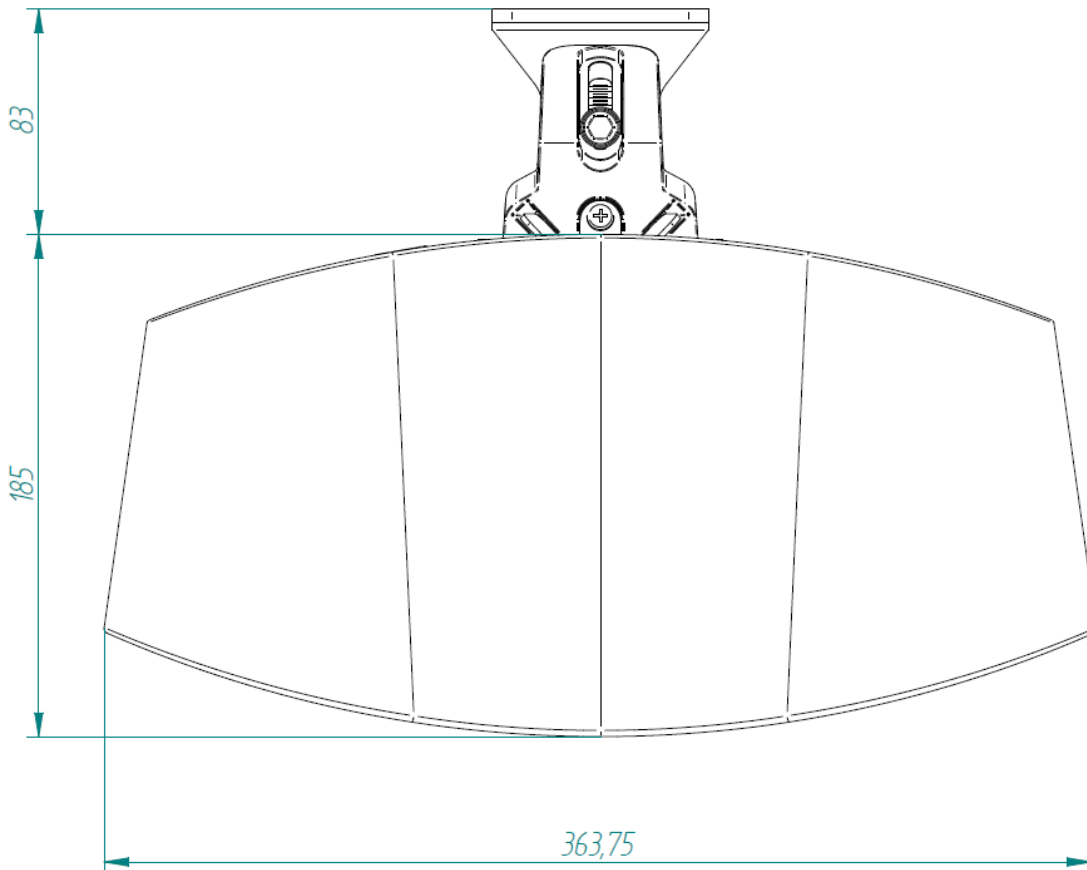
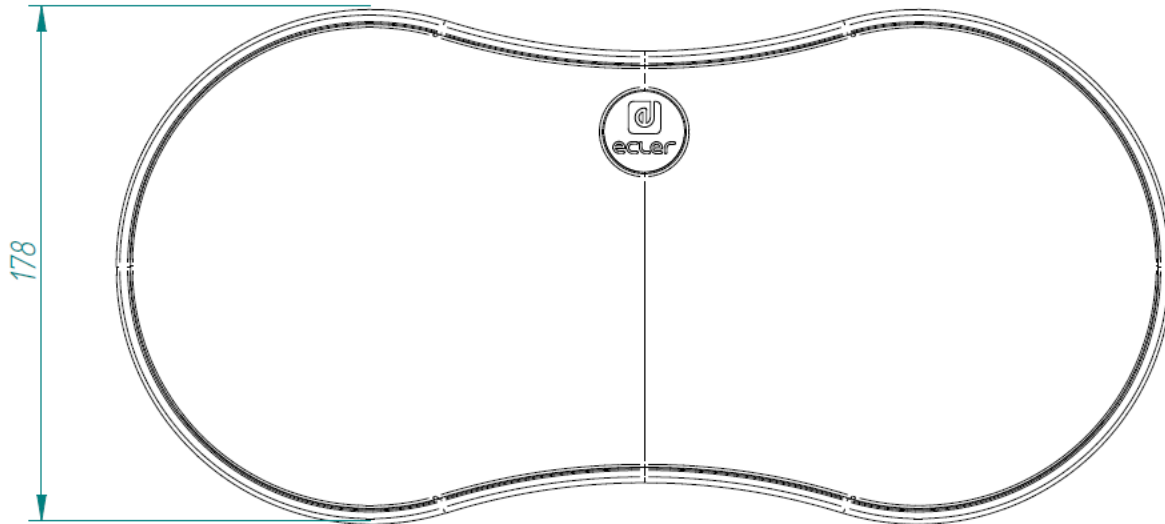
RECOMMENDED AMPLIFIER

POSITIONING & INSTALLATION

TECHNICAL DATA

## 9.2 Mechanical Diagram

Measurements in mm.



PRECAUTIONS

PACKAGE CONTENTS

DESCRIPTION & FEATURES

CONNECTIONS

IMPEDANCE SELECTOR

EQ SETTINGS

RECOMMENDED AMPLIFIER

POSITIONING & INSTALLATION

TECHNICAL DATA



PRECAUTIONS

PACKAGE CONTENTS

DESCRIPTION & FEATURES

CONNECTIONS

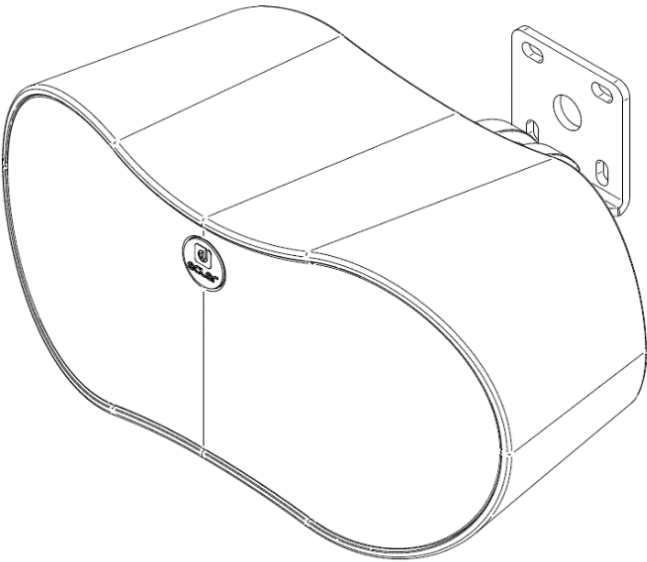
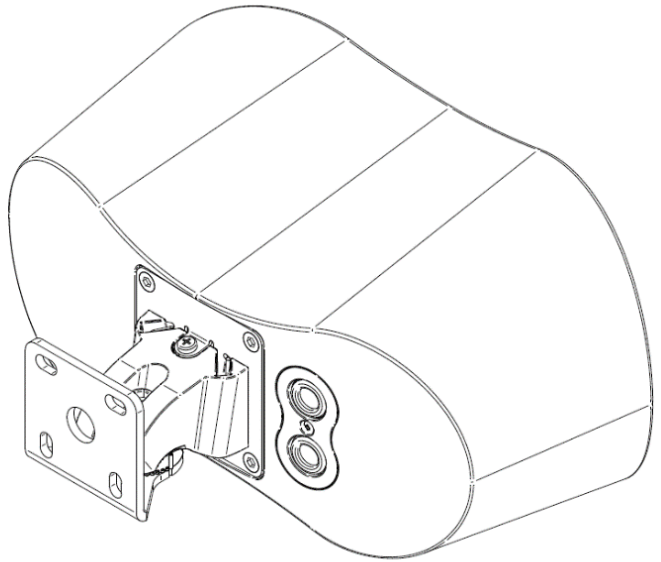
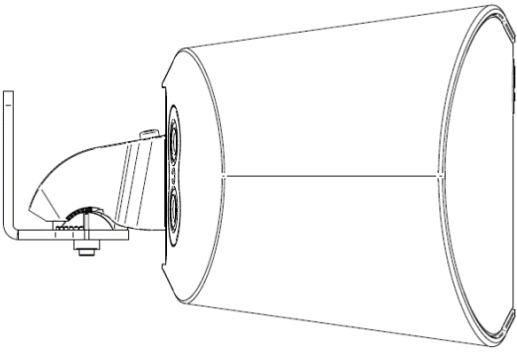
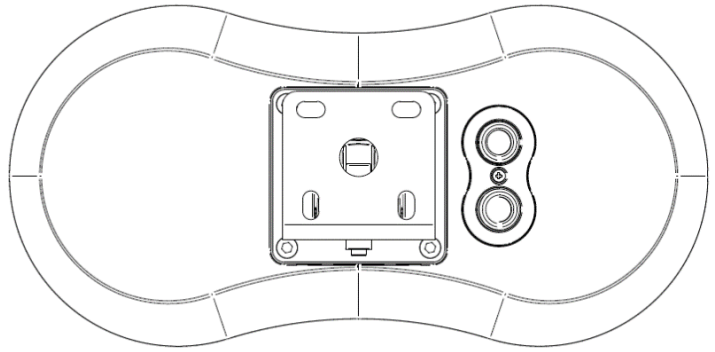
IMPEDANCE SELECTOR

EQ SETTINGS

RECOMMENDED AMPLIFIER

POSITIONING & INSTALLATION

TECHNICAL DATA





PRECAUTIONS

PACKAGE  
CONTENTS

DESCRIPTION &  
FEATURES

CONNECTIONS

IMPEDANCE  
SELECTOR

EQ  
SETTINGS

RECOMMENDED  
AMPLIFIER

POSITIONING &  
INSTALLATION

TECHNICAL  
DATA



All product characteristics are subject to variation due to production tolerances. **NEEC AUDIO BARCELONA S.L.** reserves the right to make changes or improvements in the design or manufacturing that may affect these product specifications.

For technical queries contact your supplier, distributor or complete the contact form on our website, in [Support / Technical requests](#).

Motors, 166-168 | 08038 Barcelona, Spain | (+34) 932238403 | [information@ecler.com](mailto:information@ecler.com) | [www.ecler.com](http://www.ecler.com)